

**CA 484**

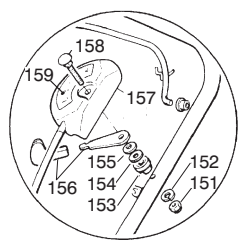
**CA 534**

CHASSIS  
MANICO  
COMANDI  
DOTAZIONE VITERIE

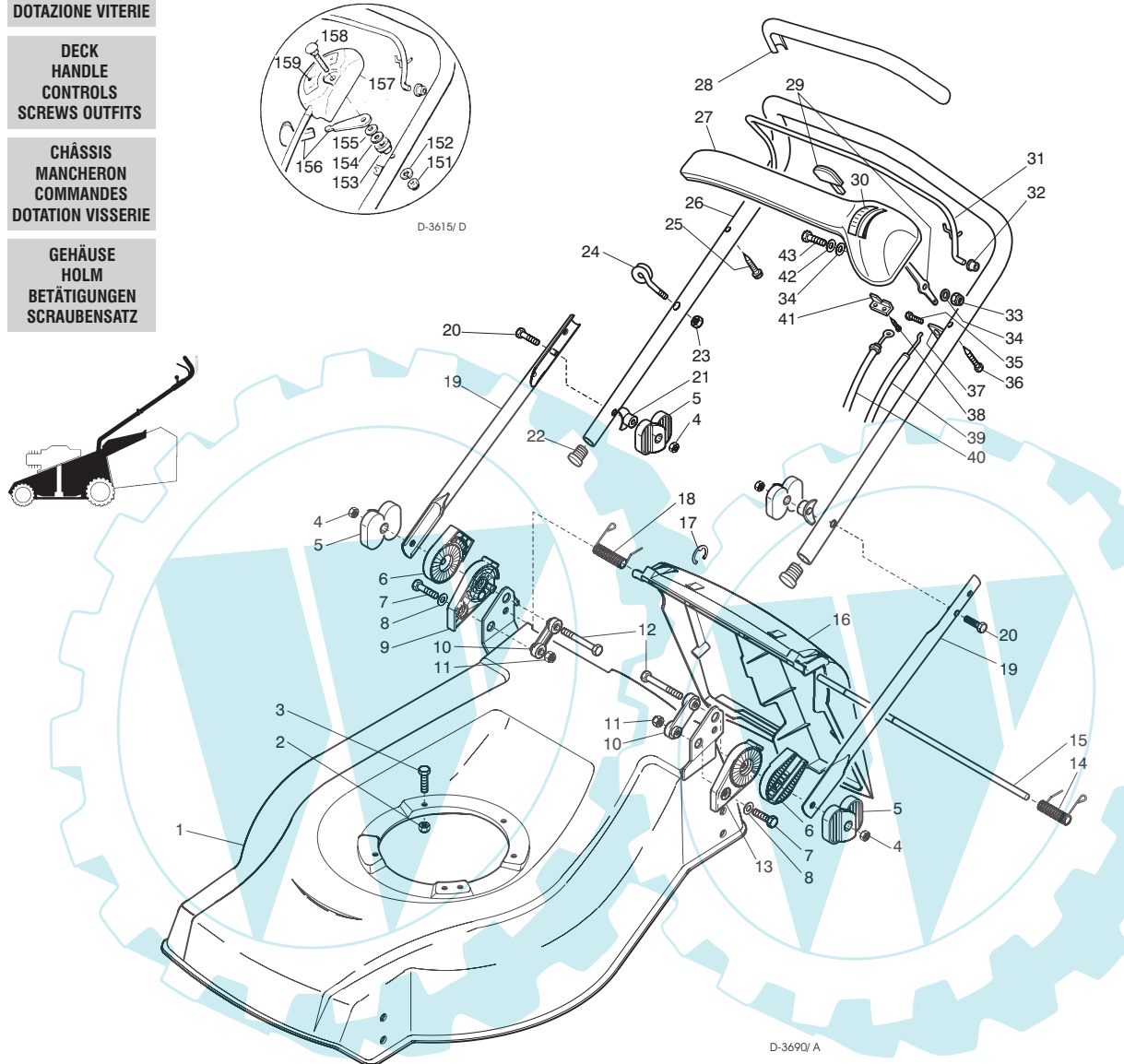
DECK  
HANDLE  
CONTROLS  
SCREWS OUTFITS

CHÂSSIS  
MANCHERON  
COMMANDES  
DOTATION VISSERIE

GEHÄUSE  
HOLM  
BETÄTIGUNGEN  
SCRAUBENSATZ



D-3615/ D



D-3690/ A

SPARE PARTS CATALOGUE

GB

ERSATZTEILKATALOG

D

CATALOGO DELLE PARTI  
DI RICAMBIO

I

CATALOGUE DES PIÈCES  
DE RECHANGE

F

T-3690/ A

Pos. Nr.	Codice Code Kodex	Q.tà Q.ty-Q.tè Menge	Descrizione	Description	Description	Beschreibung
1		1	CHASSIS	DECK	CHÂSSIS	GEHÄUSE
—	81001800/ 0	1	ROSSO CA 484	RED CA 484	OUGE CA 484	ROTES CA 484
—	81001801/ 0	1	GIALLO CA 484	YELLOW CA 484	JAUNE CA 484	GELBES CA 484
—	81001802/ 0	1	VERDE CA 484	GREEN CA 484	VERT CA 484	GRÜNES CA 484
—	81001852/ 0	1	ARANCIONE CA 484	ORANGE CA 484	ORANGE CA 484	ORANGE CA 484
—	81001806/ 0	1	ROSSO CA 534	RED CA 534	ROUGE CA 534	ROTES CA 534
—	81001807/ 0	1	GIALLO CA 534	YELLOW CA 534	JAUNE CA 534	GELBES CA 534
—	81001808/ 0	1	VERDE CA 534	GREEN CA 534	VERT CA 534	GRÜNES CA 534
—	81001854/ 0	1	ARANCIONE CA 534	ORANGE CA 534	ORANGE CA 534	ORANGE CA 534
2	12293201/ 0	3/ 2	DADO	NUT	ECROU	MUTTER
—	12155000/ 0	0/ 1	DADO	NUT	ECROU	MUTTER
3			VITE	SCREW	VIS	SCHRAUBE
—	12793700/ 0	3/ 2	(M8X30)	(M8X30)	(M8X30)	(M8X30)
—	12691800/ 0	0/ 1	(M8X60)	(M8X60)	(M8X60)	(M8X60)
4	12293202/ 0	4	DADO	NUT	ECROU	MUTTER
5	22399803/ 0	4	MANOPOLINA	KNOB	POIGNÉE	GRIF
6	22785081/ 0	2	SUPPORTO ESTERNO	EXTERNAL SUPPORT	SUPPORT EXTERNE	AUßERE HALTERUNG
7	12793701/ 0	2	VITE	SCREW	VIS	SCHRAUBE

T-3671/ A

Pos. Nr.	Codice Code Kodex	Q.tà Q.ty-Q.tè Menge	Descrizione	Description	Description	Beschreibung
8	12521350/0	2	RONDELLA	WASHER	RONDELLE	SCHEIBE
9	22785082/0	1	SUPPORTO INTERNO DX	R. INTERNAL SUPPORT	SUPPORT INTERNE DROIT	INNERE HALTERUNG RECHTS
10	22551575/0	2	PIASTRINA INTERNA	INSIDE PLAQUE	PLAQUETTE INTERNE	INNERE PLATTE
11	12155000/0	2	DADO	NUT	ECROU	MUTTER
12	12691810/0	2	VITE	SCREW	VIS	SCHRAUBE
13	22785083/1	1	SUPPORTO INTERNO SX	L. INTERNAL SUPPORT	SUPPORT INTERNE GAUCHE	INNERE HALTERUNG LINKS
14	22450420/1	1	MOLLA SX	LEFT SPRING	RESSORT GAUCHE	LINKE FEDER
15	22517906/1	1	PERNO	PIN	PIVOT	BOLZEN
16	22600063/0	1	PARASASSI	STONE-GUARD	PARE-PIERRES	PRALLBLECH
17	12000930/0	1	ANELLO ELASTICO	SNAP RING	ANNEAU RESSORT	SPRENGRING
18	22450410/1	1	MOLLA DX	RIGHT SPRING	RESSORT DROITE	RECHTE FEDER
19	81006975/0	2	PARTE INF. MANICO	LOWER HANDLE	PARTIE INF. MANCHERON	UNTERHOLM
20	12819125/0	1	VITE	SCREW	VIS	SCHRAUBE
21	22680006/1	2	RONDELLA	WASHER	RONDELLE	SCHEIBE
22	18566112/0	2	PUNTALE	IN TINE	À L'HEURE	PÜNTLICH
23	12154330/0	1	DADO	NUT	ECROU	MUTTER
24	22430309/0	1	MOLLA GUIDA	GUIDE SPRING	RESSORT DE GUIDE	FEDER FÜHRER
25	22943006/0	1	VITE	SCREW	VIS	SCHRAUBE
26	81006977/0	1	PARTE SUP. MANICO	UPPER HANDLE	PARTIE SUP. MANCHERON	OBERHOLM
27	22120154/0	1	CRUSCOTTO	DASH BOARD	CONSOLE	KONSOLE
—	22120152/0	1	ROSSO	RED	ROUGE	ROTE
—	22120158/0	1	GIALLO	YELLOW	JAUNE	GELBE
—	22120158/0	1	NERO	BLACK	NOIRE	SCHWARZE
28	22291050/0	1	IMPUGNATURA MANICO	HANDGRIP	POIGNÉE	HANDGRIFF
—	22291051/0	1	NERA	BLACK	NOIRE	SCHWARZER
—	22291052/0	1	ROSSA	RED	ROUGE	RÖTER
—	22291052/0	1	GIALLA	YELLOW	JAUNE	GELBER
29	81007280/2	1	ASS. LEVA + MANOPOLINA	LEVER + KNOB ASS. Y	ENS. LEVIER + POIGNÉE	HEBEL + GRIFF SATZ
30	14356743/0	1	ETICHETTA (TECUMSEH-HONDA)	LABEL (TECUMSEH-HONDA)	ETIQUETTE (TECUMSEH-HONDA)	ETIKETTE (TECUMSEH-HONDA)
—	14356744/0	1	(B&S)	(B&S)	(B&S)	(B&S)
31	81003291/2	1	LEVA FRENO MOTORE	BRAKE LEVER	LEVIER FREIN MOTEUR	MOTORBREMSEHEBEL
32	22041966/0	2	BOCCOLA	BUSH	DOUILLE	BUCHSE
33	12154510/0	1	DADO	NUT	ECROU	MUTTER
34	12523040/0	2	RONDELLA	WASHER	RONDELLE	SCHEIBE
35	12728518/0	1	VITE	SCREW	VIS	SCHRAUBE
36	12728460/0	1	VITE	SCREW	VIS	SCHRAUBE
37	22806612/0	1	SUPPORTO	SUPPORT	SUPPORT	HALTER
38	12735105/0	2	VITE	SCREW	VIS	SCHRAUBE
39	81007160/0	1	CAVO ACCELERATORE	THROTTLE CABLE	CABLE ACCELERATEUR	BESCHLEUNIGER KABEL
40	81000629/1	1	CAVO FRENO MOTORE	THREAD MOTOR BRAKE	CABLE FREIN MOYEUR	MOTORBREMSEKABEL
—	81000629/1	1	CA 484 (TECUMSEH)	CA 484 (TECUMSEH)	CA 484 (TECUMSEH)	CA 484 (TECUMSEH)
—	81000631/0	1	CA 484 (QUANTUM XM)	CA 484 (QUANTUM XM)	CA 484 (QUANTUM XM)	CA 484 (QUANTUM XM)
—	81000625/0	1	CA 484 (QUATTRO)	CA 484 (QUATTRO)	CA 484 (QUATTRO)	CA 484 (QUATTRO)
—	81000641/0	1	CA 484 (HONDA GCV 135/ 160)	CA 484 (HONDA GCV 135/ 160)	CA 484 (HONDA GCV 135/ 160)	CA 484 (HONDA GCV 135/ 160)
—	81000642/0	1	CA 534 (QUANTUM XM)	CA 534 (QUANTUM XM)	CA 534 (QUANTUM XM)	CA 534 (QUANTUM XM)
—	81000643/0	1	CA 534 (QUATTRO)	CA 534 (QUATTRO)	CA 534 (QUATTRO)	CA 534 (QUATTRO)
—	81000644/0	1	CA 534 (TECUMSEH)	CA 534 (TECUMSEH)	CA 534 (TECUMSEH)	CA 534 (TECUMSEH)
—	81000640/0	1	CA 534 (HONDA GCV 135/ 160)	CA 534 (HONDA GCV 135/ 160)	CA 534 (HONDA GCV 135/ 160)	CA 534 (HONDA GCV 135/ 160)
41	22981467/0	1	PIASTRINA	PLAQUE	PLAQUETTE	PLATTE
42	12530060/0	1	RONDELLA ELASTICA	SPRING WASHER	RONDELLE ELASTIQUE	ELASTISCHE SCHEIBE
43	12791500/0	1	VITE	SCREW	VIS	SCHRAUBE
—	81008633/0	1	DOTAZIONE VITERIA	SCREWS OUTFIT	DOTATION VISSERIE	SCHRAUBEN SATZ
—	81008609/0	1	DOTAZIONE CRUSCOTTO	DASH-BOARD OUTFIT	DOTATION CONSOLE	KONSOLE SATZ

**VARIANTE ACCELERATORE****THROTTLE VARIANTS****VARIANTES COMMANDE D'ACCELERATION****ÄNDERUNGEN AUF GASHEBEL**

T-3615/ D

151	12291000/0	1	DADO	NUT	ECROU	MUTTER
152	12581500/0	1	GROWER	GROWER	GROWER	FEDERRING
153	22171005/0	1	DISTANZIALE	SPACER	ENTRETOISE	DISTANZRING
154	12521360/0	1	RONDELLA	WASHER	RONDELLE	SCHEIBE
155	12508100/0	1	RONDELLA ELASTICA	SPRING WASHER	RONDELLE ELASTIQUE	ELASTISCHE SCHEIBE
156	81007279/0	1	ASS. LEVA+MANOPOLINA	LEVER+KNOB ASS.Y	ENS. LEVIER+POIGNEE	HEBEL+GRIFF SATZ
157	81007080/0	1	ASSIEME ACCELERATORE	TROTTLER UNIT ASS.Y	ENS. ACCELERATEUR	BESCHLEUNIGER SATZ
158	12815000/0	1	VITE	SCREW	VIS	SCHRAUBE
159	14356702/0	1	ETICHETTA (TECUMSEH-HONDA)	LABEL (TECUMSEH-HONDA)	ETIQUETTE (TECUMSEH-HONDA)	ETIKETTE (TECUMSEH-HONDA)
—	14356703/0	1	(B&S)	(B&S)	(B&S)	(B&S)

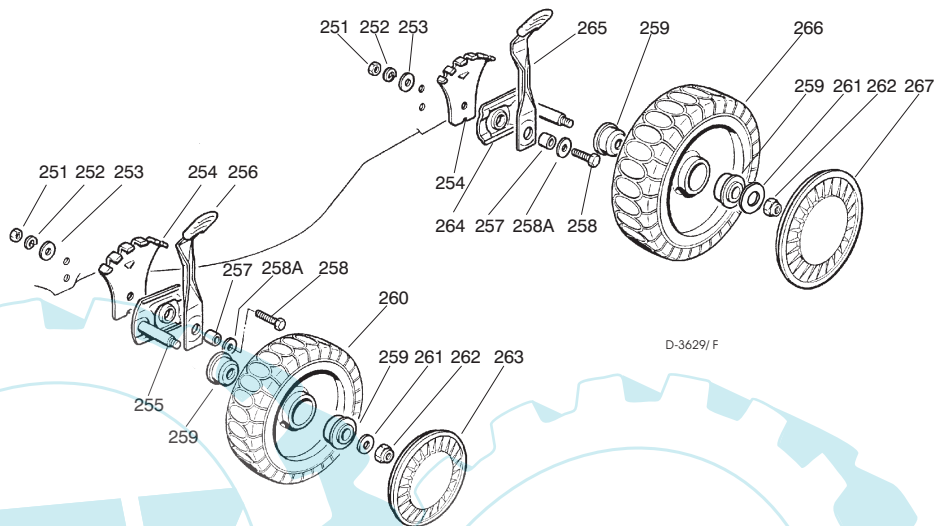
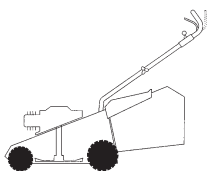
Pos. Nr.	Codice Code Kodex	Q.tà Q.ty-Q.tè Menge	Descrizione	Description	Description	Beschreibung
----------	-------------------	----------------------	-------------	-------------	-------------	--------------

**RUOTE E REGOLAZIONE**

**WHEELS AND HEIGHT ADJUSTING**

**ROUES ET REGLAGE HAUTER DE COUPE**

**RÄDER UND SCHNITTHÖHEVERSTELLUNG**



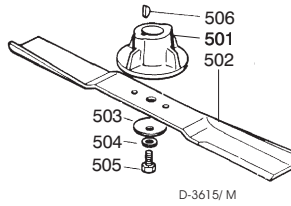
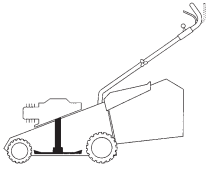
D-3629/F

T-3689/F

251	12293200/0	4	DADO	NUT	ECROU	MUTTER
252	12583500/0	4	GROWER	GROWER	GROWER	FEDERRING
253	12523070/0	4	RONDELLA	WASHER	RONDELLE	SCHEIBE
254	22735547/0	4	SETTORE REGOLAZIONE	ADJUSTMENT SECTOR	SECTEUR REGLAGE	VERSTELLUNGSEKTOR
255	81005082/0	2	SUPPORTO RUOTA	WHEEL SUPPORT	SUPPORT ROUE	RADHALTER
256	81003285/1	2	LEVA REGOLAZIONE	ADJUSTMENT LEVER	LEVIER REGLAGE	VERSTELLUNGHEBEL
257	22171001/0	4	DISTANZIALE	SPACER	ENTRETOISE	DISTANZRING
258	12793701/0	4	VITE	SCREW	VIS	SCHRAUDE
258A	12521350/0	4	RONDELLA	WASHER	RONDELLE	SCHEIBE
259	22034508/0	8	BOCCOLA	BUSH	DOUILLE	BUCHSE
260	81007317/0	2	RUOTA SCOLPITA Ø 170	KNOBBLY WHEEL Ø 170	ROUE SCULPTEE Ø 170	RAD M. STOLLENPR. Ø 170
261	12523060/0	4	RONDELLA	WASHER	RONDELLE	SCHEIBE
262	12155000/0	4	DADO	NUT	ECROU	MUTTER
263	—	—	COPRIMOZZO	HUB CAP	COUVRE-MOYEU	RADKAPPE
—	22110282/0	2	BIANCO	WHITE	BLANC	WEIßE
—	22110288/0	2	GIALLO	YELLOW	JAUNE	GELB
—	22110290/0	2	ROSSO	RED	ROUGE	ROTE
—	22110300/0	2	GRIGIO	GREY	GRIS	GRAU
264	81005084/0	2	SUPPORTO RUOTA	WHEEL SUPPORT	SUPPORT ROUE	RADHALTER
265	81003286/0	2	LEVA REGOLAZIONE	ADJUSTMENT LEVER	LEVIER REGLAGE	VERSTELLUNGHEBEL
266	81007318/1	2	RUOTA SCOLPITA Ø 210	KNOBBLY WHEEL Ø 210	ROUE SCULPTEE Ø 210	RAD M. STOLLENPR. Ø 210
267	—	—	COPRIMOZZO	HUB CAP	COUVRE-MOYEU	RADKAPPE
—	22110281/0	2	BIANCO	WHITE	BLANC	WEIßE
—	22110287/0	2	GIALLO	YELLOW	JAUNE	GELB
—	22110289/0	2	ROSSO	RED	ROUGE	ROTE
—	22110301/0	2	GRIGIO	GREY	GRIS	GRAU

Pos. Nr.	Codice Code Kodex	Q.tà Q.ty-Q.tè Menge	Descrizione	Description	Description	Beschreibung
----------	-------------------	----------------------	-------------	-------------	-------------	--------------

- GRUPPO COLTELLO
- BLADE ASS.Y
- GROUPE LAME
- MESSERSATZ

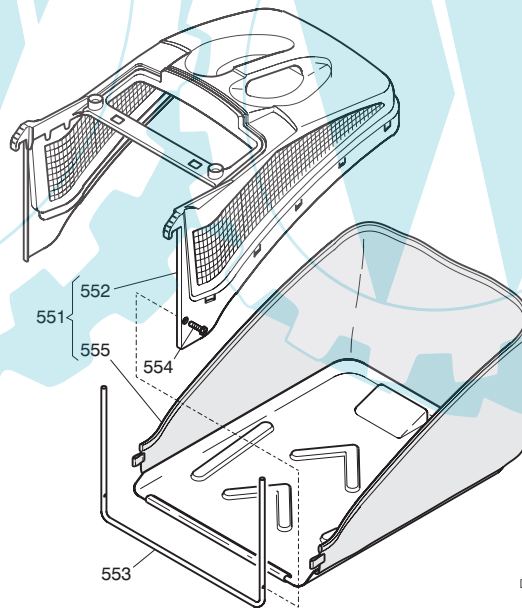
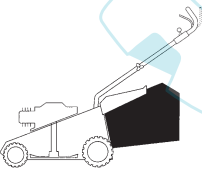


D-3615/ M

T-3690/ M

501	22463012/ 1	1	MOZZO	HUB	MOYEU	HALTER
502			COLTELLO	BLADE	LAME	MESSER
—	81004346/ 2	1	STANDARD 46 cm.	STANDARD 46 cm.	STANDARD 46 cm.	STANDARD 46 cm.
—	81004397/ 0	1	ALETTATO 46 cm.	WINGED 46 cm.	AILETTÉE 46 cm.	FLÜGEL 46 cm
—	81004381/ 0	1	STANDARD 51 cm.	STANDARD 51 cm.	STANDARD 51 cm.	STANDARD 51 cm.
—	81004398/ 0	1	ALETTATO 51 cm.	WINGED 51 cm.	AILETTÉE 51 cm.	FLÜGEL 51 cm
503	22160400/ 0	1	DISCO ELASTICO	ELASTIC WASHER	RONDELLE ELASTIQUE	ELASTISCHE SCHEIBE
504	12523080/ 0	1	RONDELLA	WASHER	RONDELLE	SCHEIBE
505	12735698/ 0	1	VITE	SCREW	VIS	SCHRAUBE
506	12139100/ 0	1	LINGUETTA	FEATHER	CLAVETTE	KEIL

- SACCO RACCOGLIERBA
- GRASS-CATCHER
- BAC DE RAMASSAGE
- GRASFANGKORB



D-3689/ N

T-3689/ N

551	91000010/ 0	1	SACCO COMPLETO	COMPLETE GRASS-BOX	SAC COMPLET	KOMPLETTER KORB
552	22486086/ 0	1	PORTE SUP. SACCO	UPPER GRASS BOX	PARTIE SUP. SAC	OBERKORB
553	22608523/ 0	1	RINFORZO INF.	DOLON REINFORCEMENT	RÉNFORCEMENT INFÉRIEUR	UNTER STÜTZE
554	12728445/ 0	1	VITE	SCREW	VIS	SCHRAUBE
555	81002180/ 0	1	TELA SACCO	FABRIC BOX	TOILE POUR SAC	TUCK FÜR SACK